

Duplex Unit Type 5000
(G303)

Duplex Unit Type 5000 (G303)

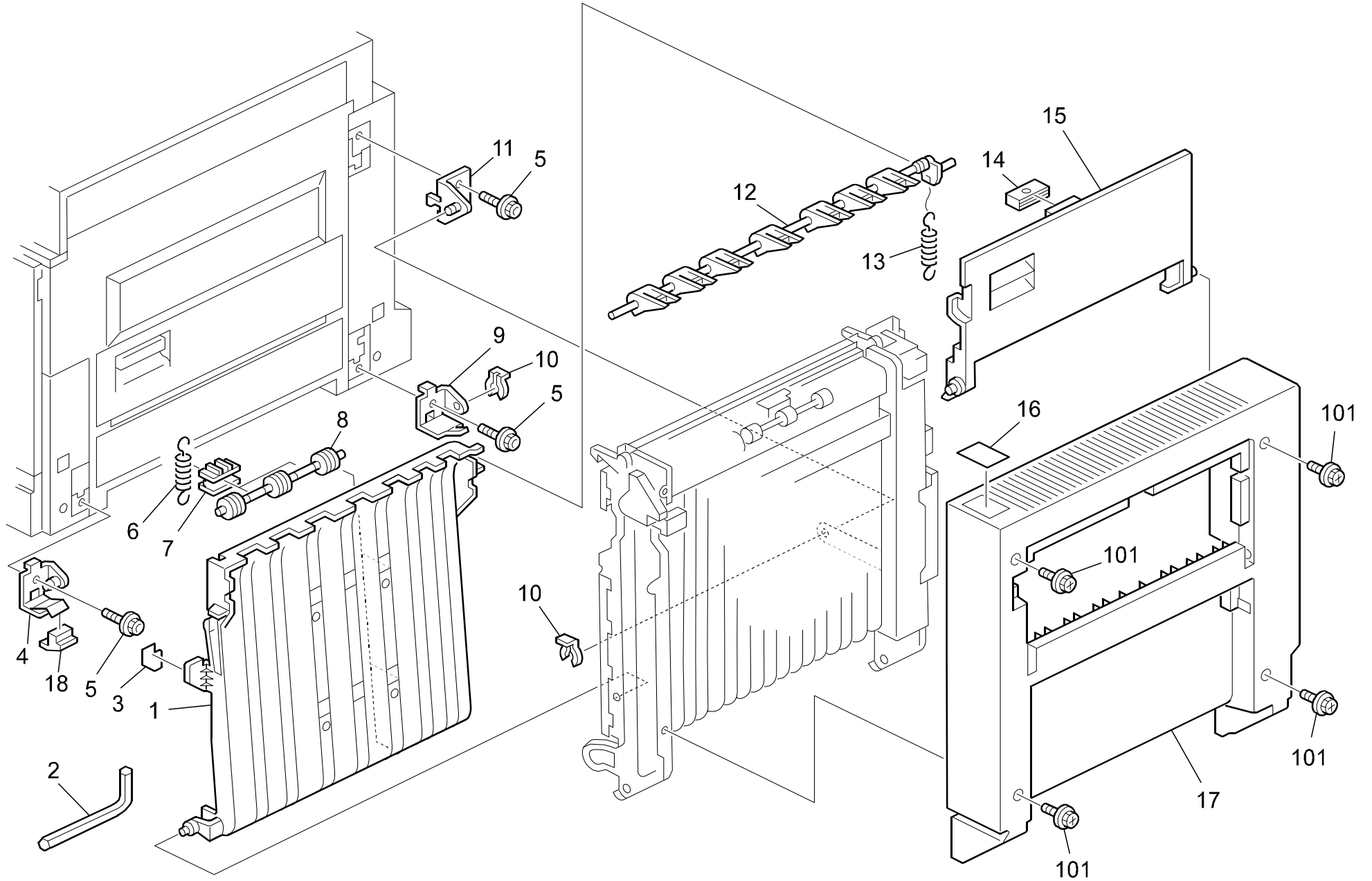
PARTS CATALOG

This catalog gives the numbers and names of parts on this machine.

| | |
|-----------------------------|----------|
| 1.DUPLEX UNIT 1 (G303)..... | 2 |
| 2.DUPLEX UNIT 2 (G303)..... | 4 |
| 3.DUPLEX UNIT 3 (G303)..... | 6 |
| PARTS INDEX | 9 |

Septemberr ,03 ' 2002

1.DUPLEX UNIT 1 (G303)

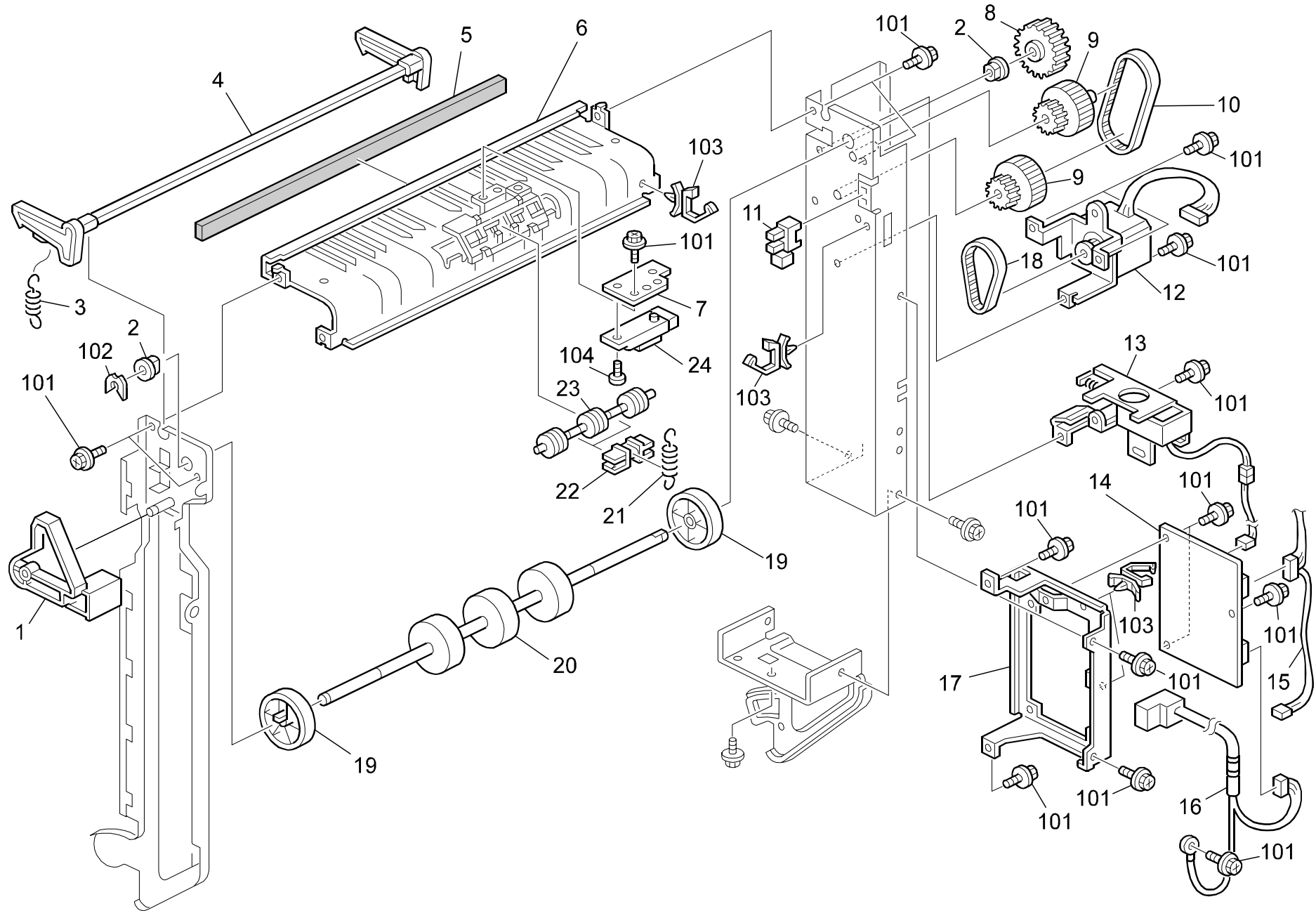


1.DUPLEX UNIT 1 (G303)

| Index No. | Part No. | Description | Q'ty Per Assembly |
|-----------|-----------|----------------------------|-------------------|
| 1 | G303 7470 | Guide Plate | 1 |
| 2 | A896 1120 | Allen Key- 2.5 | 1 |
| 3 | G303 7478 | Decal - Duplex 2 | 1 |
| 4 | G303 1060 | Front Bracket | 1 |
| 5 | G303 1100 | Hexagonal Set Scrwe - M4x6 | 3 |
| 6 | AA06 2306 | Pressure Spring | 1 |
| 7 | AA08 0312 | Bushing - 5mm | 1 |
| 8 | AF02 2137 | Driven Transport Roller | 1 |
| 9 | G303 1075 | Rear Bracket | 1 |
| 10 | 5447 2681 | Snap Ring | 2 |
| 11 | G303 1080 | Link Bracket | 1 |
| 12 | G303 7475 | Exchange Powl | 1 |
| 13 | G303 7480 | Exchange Powl Spring | 1 |
| 14 | AG07 0014 | Magnet Catch | 1 |
| 15 | G303 7495 | Missfeed Cover | 1 |
| 16 | G303 7505 | Decal - Duplex 1 | 1 |
| 17 | G303 7500 | Duplex Cover | 1 |
| 18 | G303 1070 | Stopper Shoe | 1 |

| Index No. | Part No. | Description | Q'ty Per Assembly |
|-----------|------------|----------------------|-------------------|
| 101 | 0451 3008H | Tapping Screw - M3x8 | |

2.DUPLEX UNIT 1 (G303)

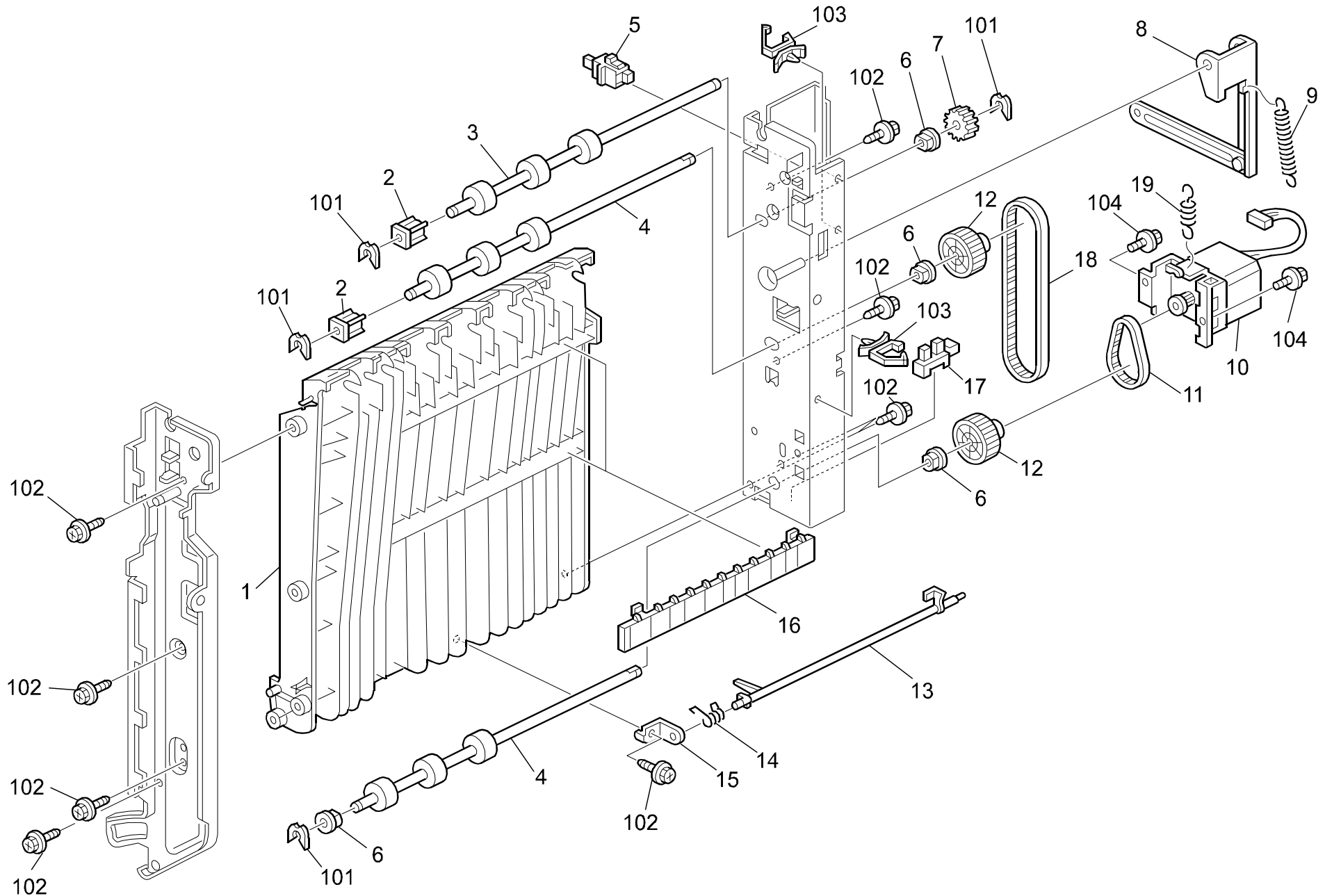


2.DUPLEX UNIT 1 (G303)

| Index No. | Part No. | Description | Q'ty Per Assembly |
|-----------|-----------|----------------------------------|-------------------|
| 1 | G303 7445 | Release Lever | 1 |
| 2 | AA08 2104 | Bushing - 8x12x7 | 2 |
| 3 | G303 7458 | Release Spring | 1 |
| 4 | G303 7450 | Un Lock Pawl | 1 |
| 5 | G303 7268 | Entrance Cushion | 1 |
| 6 | G303 7260 | Reverse Guide Plate | 1 |
| 7 | G303 7435 | Entrance Sensor Bracket | 1 |
| 8 | AB01 4212 | Gear - 38Z | 1 |
| 9 | AB01 7564 | Gear - 17Z/47T | 2 |
| 10 | AA04 3288 | Timing Belt - S2M176 | 1 |
| 11 | AW02 0056 | Photointerruptor - EE-SX4235A-P1 | 1 |
| 12 | G303 7290 | Reverse Motor | 1 |
| 13 | G303 7420 | Link Solenoid | 1 |
| 14 | G303 5110 | Duplex Control Board | 1 |
| 15 | G303 5335 | Duplex Sensor Harness | 1 |
| 16 | G303 5334 | Duplex Unit Harness | 1 |
| 17 | G303 7360 | Base Bracket | 1 |
| 18 | AA04 3287 | Timing Belt - S2M148 | 1 |
| 19 | A232 4657 | Inverter Roller | 2 |
| 20 | AF02 0538 | Duplex Reverse Roller | 1 |
| 21 | AA06 2306 | Pressure Spring | 1 |
| 22 | AA08 0312 | Bushing - 5mm | 2 |
| 23 | AF02 2137 | Driven Transport Roller | 1 |
| 24 | AW01 0048 | Photosensor - GP2A28N1 | 1 |

| Index No. | Part No. | Description | Q'ty Per Assembly |
|-----------|------------|-------------------------------|-------------------|
| 101 | 0451 3006B | Tapping Screw - M3x6 | |
| 102 | 0805 0088 | Retaining Ring - M6 | |
| 103 | 1105 0487 | Harness Clamp | |
| 104 | 0313 0060B | Philips Pan Head Screw - M3x6 | |

3.DUPLEX UNIT 1 (G303)



3.DUPLEX UNIT 1 (G303)

| Index No. | Part No. | Description | Q'ty Per Assembly |
|-----------|-----------|----------------------------------|-------------------|
| 1 | G303 7245 | Middle Guide | 1 |
| 2 | AA08 0311 | Bushing - 6mm | 2 |
| 3 | AF02 0539 | Transport Roller - 1st | 1 |
| 4 | AF02 0540 | Transport Roller - 2nd | 1 |
| 5 | AW50 0023 | Push Switch | 1 |
| 6 | AA08 2101 | Bushing - 6x10x6 | 4 |
| 7 | AB01 4213 | Gear - 20Z | 1 |
| 8 | G303 7335 | Stopper Arm | 1 |
| 9 | G303 7350 | Link Stopper Spring | 1 |
| 10 | G303 7315 | Transport Motor - DC2.2W | 1 |
| 11 | AA04 3287 | Timing Belt - S2M148 | 1 |
| 12 | AB03 0700 | Timing Pulley - 47T | 2 |
| 13 | G303 7440 | Exit Sensor Feeler | 1 |
| 14 | G303 7442 | Exit Sensor Spring | 1 |
| 15 | G303 7441 | Exit Sensor Bracket | 1 |
| 16 | G303 7460 | Relay Guide Plate | 1 |
| 17 | AW02 0056 | Photointerruptor - EE-SX4235A-P1 | 1 |
| 18 | AA04 3289 | Timing Belt - S2M374 | 1 |
| 19 | G303 7325 | Tension Spring | 1 |

| Index No. | Part No. | Description | Q'ty Per Assembly |
|-----------|------------|----------------------|-------------------|
| 101 | 0805 0089 | Retaining Ring - M4 | |
| 102 | 0450 3008B | Tapping Screw - M3x8 | |
| 103 | 1105 0487 | Harness Clamp | |
| 104 | 0451 3006B | Tapping Screw - M3x6 | |

Parts Index

Parts Index

| Part No. | Description | Page and Index No. |
|-----------|----------------------------|--------------------|
| G303 1060 | Front Bracket | 3- 4 |
| G303 1070 | Stopper Shoe | 3- 18 |
| G303 1075 | Rear Bracket | 3- 9 |
| G303 1080 | Link Bracket | 3- 11 |
| G303 1100 | Hexagonal Set Scrwe - M4x6 | 3- 5 |
| G303 5110 | Duplex Control Board | 5- 14 |
| G303 5334 | Duplex Unit Harness | 5- 16 |
| G303 5335 | Duplex Sensor Harness | 5- 15 |
| G303 7245 | Middle Guide | 7- 1 |
| G303 7260 | Reverse Guide Plate | 5- 6 |
| G303 7268 | Entance Cushion | 5- 5 |
| G303 7290 | Reverse Motor | 5- 12 |
| G303 7315 | Transport Motor - DC2.2W | 7- 10 |
| G303 7325 | Tension Spring | 7- 19 |
| G303 7335 | Stopper Arm | 7- 8 |
| G303 7350 | Link Stopper Spring | 7- 9 |
| G303 7360 | Base Bracket | 5- 17 |
| G303 7420 | Link Solenoid | 5- 13 |
| G303 7435 | Entrance Sensor Bracket | 5- 7 |
| G303 7440 | Exit Sensor Feeler | 7- 13 |
| G303 7441 | Exit Sensor Bracket | 7- 15 |
| G303 7442 | Exit Sensor Spring | 7- 14 |
| G303 7445 | Release Lever | 5- 1 |
| G303 7450 | Un Lock Pawl | 5- 4 |
| G303 7458 | Release Spring | 5- 3 |
| G303 7460 | Relay Guide Plate | 7- 16 |
| G303 7470 | Guide Plate | 3- 1 |
| G303 7475 | Exchange Powl | 3- 12 |
| G303 7478 | Decal - Duplex 2 | 3- 3 |
| G303 7480 | Exchange Powl Spring | 3- 13 |
| G303 7495 | Missfeed Cover | 3- 15 |
| G303 7500 | Duplex Cover | 3- 17 |
| G303 7505 | Decal - Duplex 1 | 3- 16 |

| Part No. | Description | Page and Index No. |
|-----------|-----------------|--------------------|
| A232 4657 | Inverter Roller | 5- 19 |
| A896 1120 | Allen Key- 2.5 | 3- 2 |

| Part No. | Description | Page and Index No. |
|-----------|----------------------------------|--------------------|
| AA04 3287 | Timing Belt - S2M148 | 7- 11 |
| AA04 3287 | Timing Belt - S2M148 | 5- 18 |
| AA04 3288 | Timing Belt - S2M176 | 5- 10 |
| AA04 3289 | Timing Belt - S2M374 | 7- 18 |
| AA06 2306 | Pressure Spring | 5- 21 |
| AA06 2306 | Pressure Spring | 3- 6 |
| AA08 0311 | Bushing - 6mm | 7- 2 |
| AA08 0312 | Bushing - 5mm | 3- 7 |
| AA08 0312 | Bushing - 5mm | 5- 22 |
| AA08 2101 | Bushing - 6x10x6 | 7- 6 |
| AA08 2104 | Bushing - 8x12x7 | 5- 2 |
| AB01 4212 | Gear - 38Z | 5- 8 |
| AB01 4213 | Gear - 20Z | 7- 7 |
| AB01 7564 | Gear - 17Z/47T | 5- 9 |
| AB03 0700 | Timing Pulley - 47T | 7- 12 |
| AF02 0538 | Duplex Reverse Roller | 5- 20 |
| AF02 0539 | Transport Roller - 1st | 7- 3 |
| AF02 0540 | Transport Roller - 2nd | 7- 4 |
| AF02 2137 | Driven Transport Roller | 3- 8 |
| AF02 2137 | Driven Transport Roller | 5- 23 |
| AG07 0014 | Magnet Catch | 3- 14 |
| AW01 0048 | Photosensor - GP2A28N1 | 5- 24 |
| AW02 0056 | Photointerruptor - EE-SX4235A-P1 | 5- 11 |
| AW02 0056 | Photointerruptor - EE-SX4235A-P1 | 7- 17 |
| AW50 0023 | Push Switch | 7- 5 |

| Part No. | Description | Page and Index No. |
|------------|-------------------------------|--------------------|
| 0313 0060B | Philips Pan Head Screw - M3x6 | 5-104 |
| 0450 3008B | Tapping Screw - M3x8 | 7-102 |
| 0451 3006B | Tapping Screw - M3x6 | 5-101 |
| 0451 3006B | Tapping Screw - M3x6 | 7-104 |
| 0451 3008H | Tapping Screw - M3x8 | 3-101 |
| 0805 0088 | Retaining Ring - M6 | 5-102 |
| 0805 0089 | Retaining Ring - M4 | 7-101 |
| 1105 0487 | Harness Clamp | 5-103 |
| 1105 0487 | Harness Clamp | 7-103 |

| Part No. | Description | Page and Index No. |
|-----------|-------------|--------------------|
| 5447 2681 | Snap Ring | 3- 10 |

| Part No. | Description | Page and Index No. |
|----------|-------------|--------------------|
| | | |